

TP PED SERIES

PRESSURE VESSELS - PED

operating pressure	10, 13 bar
operating temp.range	-10 to +50 °C

APPLICATIONS

- compressed air systems

DESCRIPTION

Pressure vessels are tanks, designed to store compressed air. On request Pressure vessels can also be designed for any other technical gas. Volume of pressure vessel depends on compressor capacity and on consumption of compressed air.

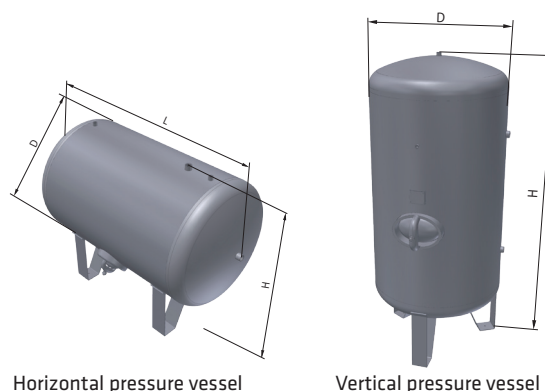
The supply of pressure vessel includes:

- Anticorrosion protection with basic colour painting and final painting
- CE - certificate
- Revision opening (from type TP200 on)
- Supporting legs
- Connections for optional equipment



TECHNICAL DATA															
Size	Volume l	Connections number and dimensions									Dimensions (mm)			Max. pressure bar	Mass kg
		1/2"	3/4"	1"	6/4"	2"	DN50	DN80	DN100	DN150	H	D	L		
Vertical pressure vessels															
50	47	7	-	-	-	-	-	-	-	-	920	300	-	13	25
100	101	6	-	-	-	1	-	-	-	-	1375	350	-	13	45
150	136	6	-	-	-	1	-	-	-	-	1395	400	-	13	55
200	199	3	-	4	-	-	-	-	-	-	1430	480	-	13	85
300	287	1	2	4	-	-	-	-	-	-	1930	480	-	13	115
500	496	1	2	4	-	-	-	-	-	-	2025	622	-	13	135
750	739	1	2	4	-	-	-	-	-	-	2090	750	-	13	170
1000	975	1	-	2	4	-	-	-	-	-	2140	850	-	13	260
1500	1368	1	-	2	-	4	-	-	-	-	2295	1000	-	13	310
2000	1853	1	-	2	-	4	-	-	-	-	2370	1150	-	13	460
3000	2825	1	-	2	-	4	-	-	-	-	2905	1250	-	13	630
4000	4028	1	-	2	-	-	-	4	-	-	3915	1250	-	13	810
5000	5121	1	-	2	-	-	-	4	-	-	3915	1400	-	13	1350
6000	5801	1	-	2	-	-	-	-	4	-	3510	1600	-	13	1750
8000	7707	1	-	2	-	-	-	-	4	-	4105	1700	-	13	2190
10000	9953	1	-	2	-	-	-	-	4	-	5200	1700	-	10	2500
15000	15498	1	-	1	-	-	1	-	-	4	4860	2200	-	10	3750
20000	21073	1	-	1	-	-	1	-	-	4	6360	2200	-	10	4710
25000	24790	1	-	1	-	-	1	-	-	4	7360	2200	-	10	5360
Horizontal pressure vessels															
50	47	6	-	-	-	-	-	-	-	-	400	300	775	13	25
100	101	5	-	-	-	1	-	-	-	-	505	350	1205	13	45
150	136	5	-	-	-	1	-	-	-	-	550	400	1220	13	55
200	199	3	-	3	-	-	-	-	-	-	635	480	1265	13	85
300	287	1	2	3	-	-	-	-	-	-	625	480	1770	13	115
500	496	1	2	-	3	-	-	-	-	-	820	622	1835	13	135
750	739	1	2	-	3	-	-	-	-	-	1025	750	1890	13	170
1000	975	1	-	2	3	-	-	-	-	-	1130	850	1935	13	260
1500	1368	1	-	2	-	3	-	-	-	-	1275	1000	2000	13	310
2000	1853	1	-	2	-	3	-	-	-	-	1500	1150	2100	13	460
3000	2825	1	-	2	-	-	-	3	-	-	1600	1250	3100	13	630
4000	4028	1	-	2	-	-	-	3	-	-	1600	1250	3600	13	810
5000	5121	1	-	2	-	-	-	3	-	-	1750	1400	3665	13	1350
6000	5801	1	-	2	-	-	-	-	3	-	1950	1600	3250	13	1750
8000	7707	1	-	2	-	-	-	-	3	-	2050	1700	3810	13	2190
10000	9953	1	-	2	-	-	-	-	3	-	2050	1700	4810	10	2500
15000	15498	1	-	1	-	-	1	-	-	3	2550	2200	4600	10	3750
20000	21073	1	-	1	-	-	1	-	-	3	2550	2200	6100	10	4710
25000	24790	1	-	1	-	-	1	-	-	3	2550	2200	7100	10	5360

For any non standard pressure vessel (based on operating media, design pressure, design temperature, standard, ...) please contact producer or your local distributor.



Horizontal pressure vessel

Vertical pressure vessel