

MDM60

DIFFERENTIAL PRESSURE INDICATOR

operating pressure	16 bar
operating temp. range	1,5 to 65 °C

APPLICATIONS

- automotive
- electronics
- food & beverage
- chemical
- petrochemical
- plastics
- paint
- general industrial application

DESCRIPTION

Magnetic differential manometer MDM 60 has been developed to indicate pressure drop across the filter element in compressed air system⁽¹⁾.

It detects when the filter cartridge is clogged and should be replaced. MDM 60 is typically installed on the head of the filter housing.

MDM60 can be used in variety of applications. For applications not listed please contact producer or your local distributor.

⁽¹⁾For any other technical gas please contact producer or your local distributor.

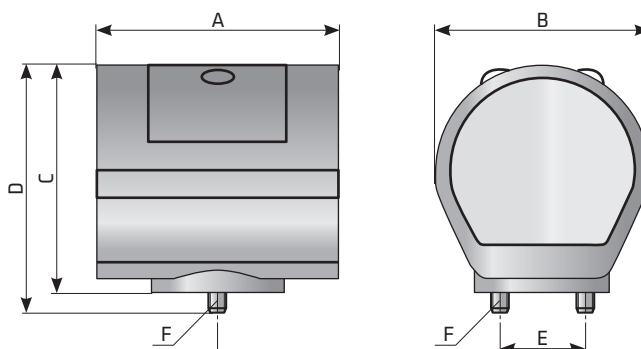


MDM 60
basic version

MDM 60 E
electronic version
with LED alarm

MDM 60 C
voltage free contact version
for remote alarm

TECHNICAL DATA	
operating pressure range	0 - 16 bar (0 - 232 psi)
operating temperature range	1,5 - 65 °C (35 - 149 °F)
mass	0,15 kg
measuring range	0,9 bar (13 psi)
DIMENSIONS	
A	72 mm
B	64 mm
C	68 mm
D	74 mm
E	24 mm
F	M5



TYPES	
MDM 60	basic version
MDM 60E	electronic version (battery) with LED alarm light
MDM 60C	voltage-free contact version for remote alarm