

# EMD SERIES

## ELECTRONIC CONDENSATE DRAIN

operating pressure	<b>16 bar</b>
drain capacity	<b>up to 75 l/h</b>
connections	<b>1/2"</b>
operating temp. range	<b>1,5 to 65 °C</b>

### APPLICATIONS

- air compressor (piston or screw)
- after-cooler
- cyclone condensate separator
- pressure vessel/air tank
- air dryer
- air filter

### DESCRIPTION

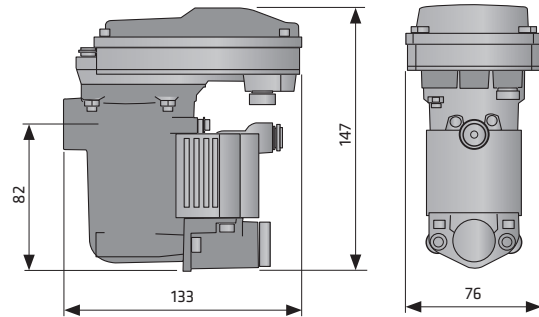
EMD12 series drain is designed for fully automatic discharging of condensate or any other non-aggressive fluid from compressed air system. The units can be installed as external drain on any application specified. Condensate accumulates in the collecting reservoir. When the level is high enough condensate is being discharged from the system without any air losses. Fluid level is detected by precise capacitive level sensor.

Special self-cleaning direct acting valve assures reliable operating. EMD series is also equipped with operation alarm, led indicator, test button and internal strainer. Version with Service Network for diagnostics parameter setting and alarm output is also available.



### ADVANTAGES

- ✓ integrated strainer (easy access/cleaning)
- ✓ compact design
- ✓ direct acting, self cleaning valve (patented)
- ✓ optimised for easy service (service kit)
- ✓ horizontal or vertical installation
- ✓ PA housing



TECHNICAL DATA	EMD12	EMD12A	EMD12C	EMD12	EMD12A	EMD12C	EMD12	EMD12A	EMD12A	EMD25	EMD 75		
Service network connection	230 V			115 V			24 Vac		24Vdc	230 V	115 V	230 V	115 V
Alarm output	-	-	✓	-	-	✓	-	-	-	-	-	-	-
Voltage	230 VAC, 50-60 Hz			115 VAC, 50-60 Hz			24 Vac, 50-60 Hz		24Vdc	230 V	115 V	230 V	115 V
Internal fuse	5 x 20 1A T			5 x 20 1A T			2A		2A	5 x 20 1A T		5 x 20 1A T	
Power	10 VA			10 VA			10 VA		8,5 A	24 A		24 A	
Operating pressure range	0-16 bar (0-232 psi)			0-16 bar (0-232 psi)			0-16 bar (0-232 psi)		0-8 bar	0-16 bar (0-232 psi)		0-16 bar (0-232 psi)	
Drain capacity (at 7 bar/101 psi)	12 l/h (0,007cfm)			12 l/h (0,007cfm)			12 l/h (0,007cfm)		12 l/h	25 l/h		75 l/h	
Operating temperature range	1,5-65°C (35-149°F)												
Inlet connection	G 1/2"			G 1/2"			G 1/2"		G 1/2"	G 1/2"		G 1/2"	
Outlet connection	Push connection for tube ø8												
Protection class	IP54												
Mass [kg]				0,55						0,9		1,2	
Dimensions A x B x C [mm]	133 x 76 x 147												
Peak compressor capacity [m³/min]	a				8,8					16,6		55,0	
	b				7,4					15,4		46,2	
	c				4,6					9,6		28,7	
Peak dryer capacity [m³/min]	a				18,56					38,6		116,0	
	b				14,9					31,0		93,1	
	c				9,28					19,3		58,0	
Peak filter capacity [m³/min]	a				92,8					193,3		580,0	
	b				74,4					154,9		465,0	
	c				46,4					96,6		290,0	

- a Northern Europe, Canada, Central Asia
- b Rest of the World
- c Moist tropical and subtropical regions

The amount of condensed water in compressed air system depends mainly on outside air temperature. Please take the relevant climate zone into account when dimensioning your specific EMD-12 drain series application: